



- 0,5 % Accuracy
- TRMS measurement (monopolar) or DC (bipolar)
- 4-20mA analog output
- Din rail mountable
- Passive loop powered 11-30V DC
- Range: 50A TRMS or 25A TRMS  
±50A / ±25A DC bipolar



## Technical data

### Function

AC/DC current transformer with 4-20mA interface.

### 1. Mechanical design

PBT plastic housing, IP rating IP20

DIN-rail mountable with DIN-rail clips (included) for horizontal/vertical mounting, screw predisposition for horizontal/vertical mounting

Mounting position: any

Dimensions: 46,1 x 63 x 26,4mm (without connectors)  
Ø15mm (current transformer)

Terminals: - 1,5mm<sup>2</sup> 2-pole connector (3,5mm pitch)

DIP-switch: 2 poles (Monopolar / Bipolar; 25A / 50A)

Weight: 72g

### 2. Indicators

Yellow LED ON: indication of supply voltage

### 3. Power Supply

Input: 11...30 V DC passive loop powered; terminals +; -  
Protection against polarity reversal and overtemperature

Absorption: max. 3,5mA

### 4. Analog output

Output range: 4-20mA

Response time: 1000ms

### 5. Measuring circuit

Type of Measure: TRMS (monopolar) or DC (bipolar)

Range: 50A / 25A (DIP-switch setting)  
bipolar ±50A DC / ±25A DC (DIP-switch setting)

Crest factor: 2

Working frequency: 20 ... 2000Hz or DC

Overload: 2000A pulse, 300A continuous

Hysteresis: 0,15% f.s.

### 6. Accuracy

Current: < 0,5% f.s.

### 7. General specifications

Resolution: 12 bit

Temperature coefficient: < 200 ppm/°C

Operation temperature: -15 to +65°C

Storage temperature: -40 to +85°C

Humidity: 10 to 90% (not condensing)

Altitude: Up to 2000m above sea level

Isolation: 3kV on bare wire

Standards: EN55022: 2010-12;

EN55024: 2010-11;

### Remarks:

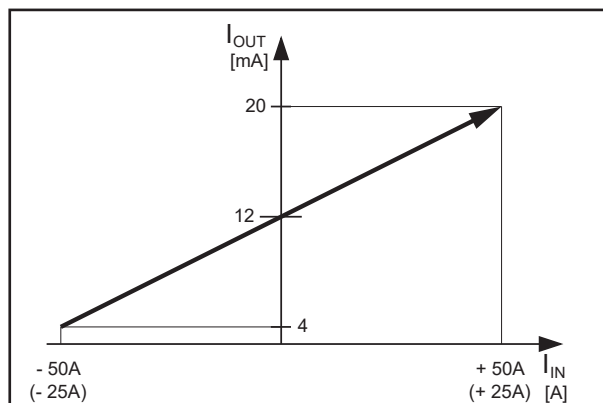
- Any changes made by dip-switch requires to reset via power supply

### DIP-switch:

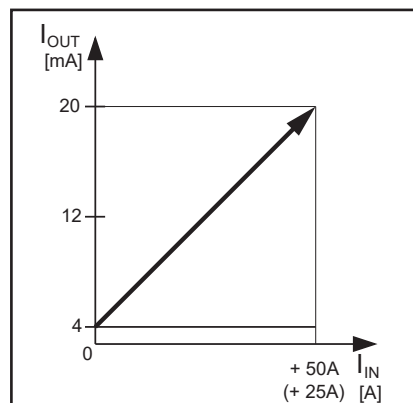
Description	DIP-switch	
	1	2
Monopolar (TRMS)		0
Bipolar (mean value)		1
50A measuring range	0	
25A measuring range	1	

## Input / Output diagram

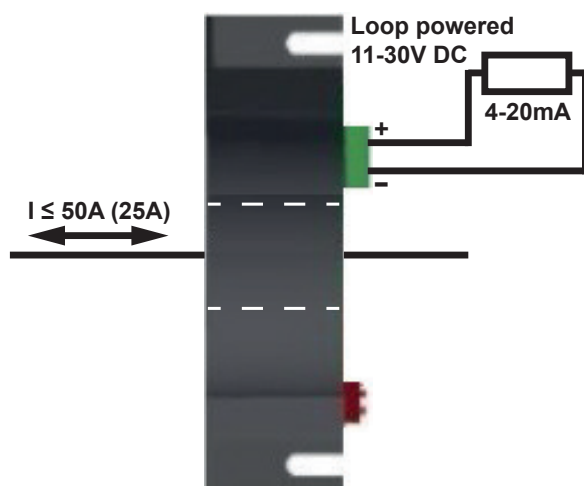
**Bipolar:**



**Monopolar:**

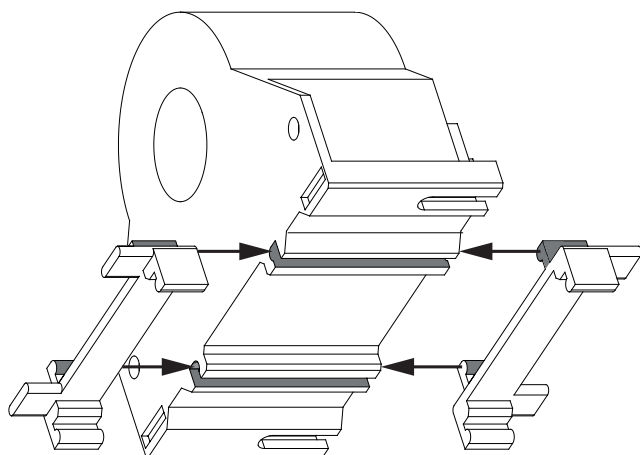


## Connections

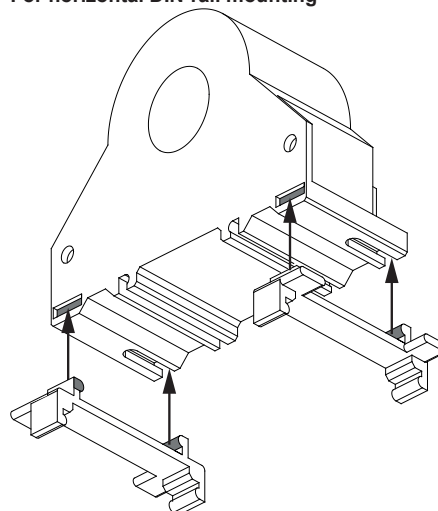


## Positioning clips for DIN-rail

For vertical DIN-rail mounting



For horizontal DIN-rail mounting



**TELE Haase Steuergeräte Ges.m.b.H.**  
Vorarlberger Allee 38  
AT-1230 Vienna, AUSTRIA

RELEASE 2018/03

Subject to alterations and errors

