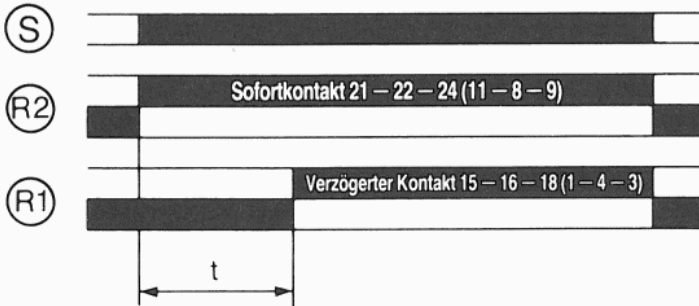


with 1 instantaneous change-over

- LED-power on indication (green), output status indication (yellow)
- terminals for external potentiometer

Function: on-delay with 1 instantaneous change over
 1 delayed change-over
 1 instantaneous change-over



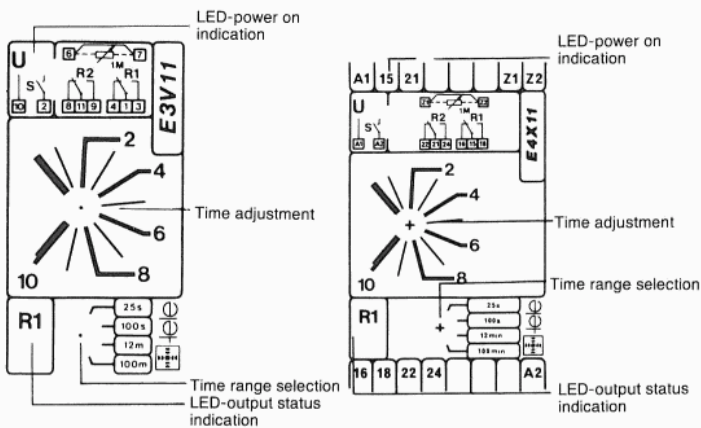
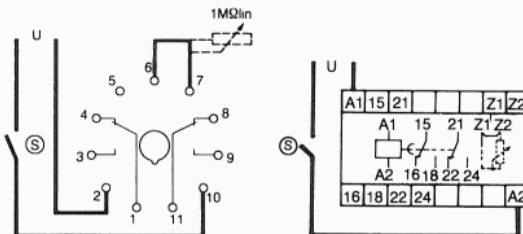
Time ranges (switchable):

Version N:	1 – 25 s
	4 – 100 s
	0.5 – 12 min
	4 – 100 min
Version S:	} see list
Version L:	

Timing starts, and the instantaneous output relay (R2) energises when the supply voltage (S) is connected to the supply terminals A1–A2 (2–10). At the end of the delay time t the delayed output relay (R1) energises. Both output relays drop out and the timer resets automatically when the supply voltage is removed. If the supply voltage is removed during time t the instantaneous output relay drops out, the remainder of time t is cancelled and the relay resets automatically. When an external potentiometer is connected, the potentiometer on the timer must be set to zero.

Accuracy:

Repeat accuracy at constant conditions (% of full range)	0.5%
Voltage effect in range of 0.85 to 1.1 U_N	0.5%
Temperature effect	0.1%/°C
Reset time	100 ms

Front panel:**Connection:****E3V11****E4X11****Technical data:****Supply voltages:**

(can be chosen by plug-in power unit)
 24, 42, 48, 110, 127, 220, 240, 380, 415, 440 V AC
 24, 36, 42, 48 V AC/DC
 6, 12, 60, 110, 125, 220 V DC
 (max. remaining ripple factor 10%)

Nominal power consumption:

24 ... 440 V AC/4 VA
 24 V AC/DC/2 VA, 36 V AC/DC/3 VA
 42 V AC/DC/3.5 VA, 48 V AC/DC/4 VA
 6 ... 220 V DC/3 W

Acceptable voltage variation 0.8 to 1.2 U_N
 When using transformers 0.85 to 1.1 U_N

Frequency range 48–63 Hz

Duty cycle 100%, IEC class 1c

Environmental conditions:

Ambient temperature range -20°C to $+55^{\circ}\text{C}$
 Climate resistance F according to DIN 40040

Mechanical data/classifications:

Housing with plug-in power supply, self-quenching plastic material protection class IP 40

Connections:

Series X: terminals shrouded to prevent human contact, max. 4 mm²
 Series V: 11-pin socket

For standards and measurements

comp. tabulation of housings on page 1

Classifications:

VDE 0435: dielectric strength 2000 V AC
 VDE 0110: group C 250 V AC

Output:

Contact
 single pole change over

Contact voltage
 380 V AC, 250 V DC

Permanent current
 max. 8 A

Contact rating
 1500 VA

Electrical life
 220 V AC 5 A resist. load
 appr. $3 \cdot 10^5$ operations

Mechanical life
 $\geq 20 \cdot 10^6$ operations

Contact material
 Ag gold plated