

- Industrial design
- Width 22.5mm
- 4 functions
- 8 time ranges
- 1 change over contact



► Technical data

► 1. Functions

E	ON delay
R	OFF delay with control contact
Wu	Single shot leading edge voltage controlled
Bp	Flasher pause first

► 2. Time ranges

Time range	Adjustment range	
1s	50ms	1s
10s	500ms	10s
1min	3s	1min
10min	30s	10min
1h	3min	1h
10h	30min	10h
1d	72min	1d
10d	12h	10d

► 3. Indicators

Green LED ON:	indication of supply voltage
Green LED flashes:	indication of time period
Yellow LED ON/OFF:	indication of relay output

► 4. Mechanical design

Self-extinguishing plastic housing, IP rating IP40
 Mounted on DIN-Rail TS 35 according to EN 50022
 Mounting position: any
 Shockproof terminal connection according to VBG 4 (PZ1 required), IP rating IP20
 Initial torque: max. 1Nm

Terminal capacity:

- 1 x 0.5 to 2.5mm² with/without multicore cable end
- 1 x 4mm² without multicore cable end
- 2 x 0.5 to 1.5mm² with/without multicore cable end
- 2 x 2.5mm² flexible without multicore cable end

► 5. Input circuit

Supply voltage:	
24V DC	terminals A1(+)-A2 voltage selector engaged
24V AC	terminals A1-A2 voltage selector engaged
110 to 240V AC	terminals A1-A2 voltage selector not engaged
Tolerance:	
24V DC	±10%
24V AC	-15% to +10%
110 to 240V AC	-15% to +10%
Rated frequency:	48 to 63Hz
Rated consumption:	
24V AC/DC	1.5VA (1W)
110V AC	2VA (1W)
230V AC	8VA (1.3W)
Duration of operation:	100%
Reset time:	100ms
Residual ripple for DC:	10%
Drop-out voltage:	>30% of the supply voltage

► 6. Output circuit

1 potential free change over contact	
Switching capacity (distance < 5mm):	1250VA (5A / 250V AC)
Switching capacity (distance > 5mm):	2000VA (8A / 250V AC)
Fusing:	8A fast acting
Mechanical life:	20 x 10 ⁶ operations
Electrical life:	2 x 10 ⁵ operations at 1000VA resistive load
Switching frequency:	max. 60/min at 100VA resistive load
	max. 6/min at 1000VA resistive load (according to IEC 947-5-1)
Insulation voltage:	250V AC (according to IEC 664-1)
Surge voltage:	4kV, overvoltage category III (according to IEC 664-1)

► 7. Control contact

Connections:	not potential free, terminals A1-B1
Loadable:	yes, parallel load min. 1VA (0.5W) terminals A2-B1
Line length:	max. 10m
Control pulse length:	DC min. 50ms
	AC min. 50ms

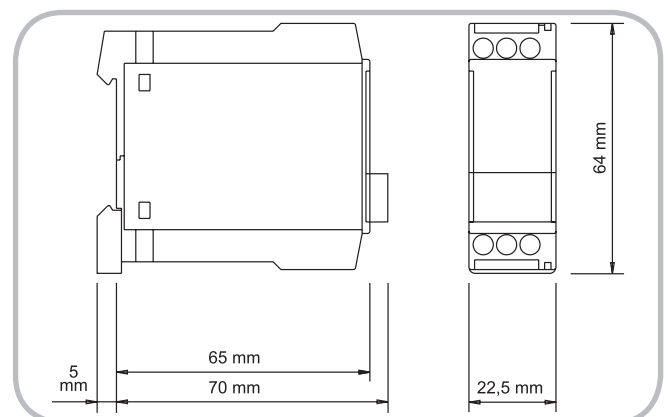
► 8. Accuracy

Base accuracy:	±1% (of maximum scale value)
Adjustment accuracy:	≤5% (of maximum scale value)
Repetition accuracy:	<0.5% or ±5ms
Voltage influence:	-
Temperature influence:	≤0.01% / °C

► 9. Ambient conditions

Ambient temperature:	-25 to +55°C (according to IEC 68-1)
	-25 to +40°C (according to UL 508)
Storage temperature:	-25 to +70°C
Transport temperature:	-25 to +70°C
Relative humidity:	15% to 85% (according to IEC 721-3-3 class 3K3)
Pollution degree:	3 (according to IEC 664-1)

► 10. Dimensions

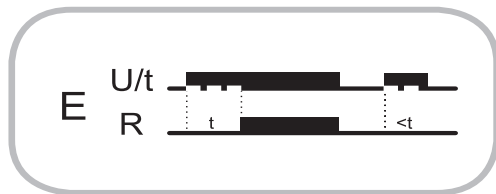


Functions

ON delay (E)

When the supply voltage U is applied, the set interval t begins (green LED flashes). After the interval t has expired (green LED illuminated) the output relay R switches into on-position (yellow LED illuminated). This status remains until the supply voltage is interrupted.

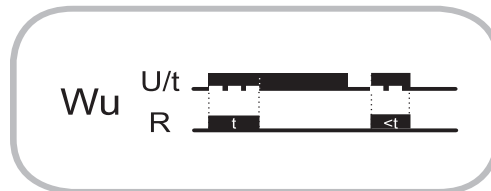
If the supply voltage is interrupted before the expiry of the interval t , the interval already expired is erased and is restarted when the supply voltage is next applied.



Single shot leading edge voltage controlled (Wu)

When the supply voltage U is applied, the output relay R switches into on-position (yellow LED illuminated) and the set interval t begins (green LED flashes). After the interval t has expired (green LED illuminated) the output relay switches into off-position (yellow LED not illuminated). This status remains until the supply voltage is interrupted.

If the supply voltage is interrupted before the interval t has expired, the output relay switches into off-position. The interval already expired is erased and is restarted when the supply voltage is next applied.

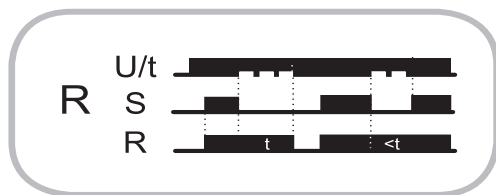


OFF delay with Control contact (R)

The supply voltage U must be constantly applied to the device (green LED illuminated).

When the control contact S is closed, the output relay R switches into on-position (yellow LED illuminated). If the control contact is opened, the set interval t begins (green LED flashes). After the interval t has expired (green LED illuminated) the output relay switches into off-position (yellow LED not illuminated).

If the control contact is closed again before the interval t has expired, the interval already expired is erased and is restarted with the next cycle.

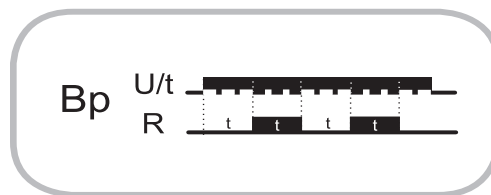


Flasher pause first (Bp)

When the supply voltage U is applied, the set interval t begins (green LED flashes). After the interval t has expired, the output relay R switches into on-position (yellow LED illuminated) and the set interval t begins again. After the interval t has expired, the output relay switches into off-position (yellow LED not illuminated).

The output relay is triggered at a ratio of 1:1 until the supply voltage is interrupted.

To restart the function the supply voltage must be interrupted and re-applied.



Connections

